

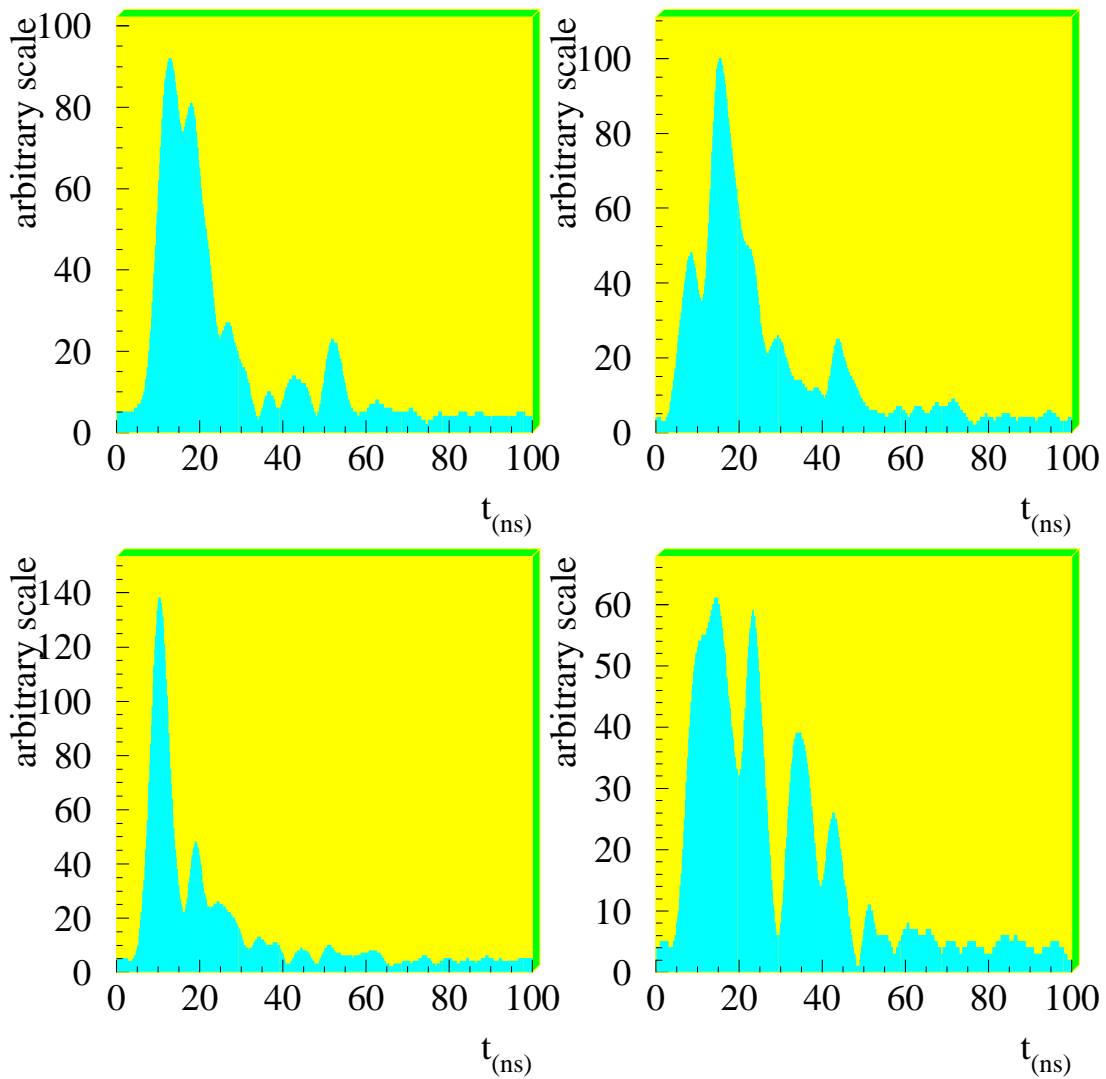
The mixed analog/digital shaper of the LHC_b preshower

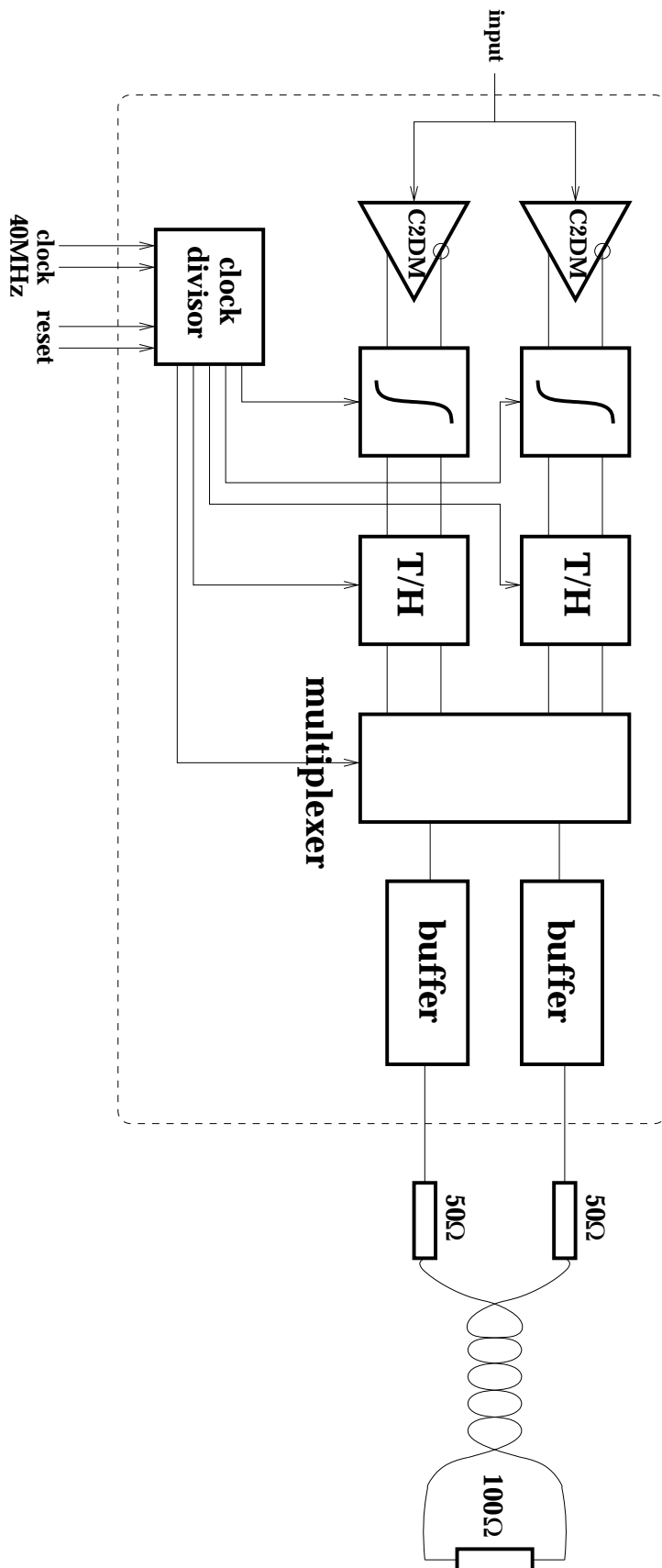
J. Lecoq, G. Bohner, Rémi Cornat, P. Perret,
Cyrille Trouilleau

L.P.C. Clermont-Ferrand
Université Blaise Pascal, 63177 AUBIERE Cedex

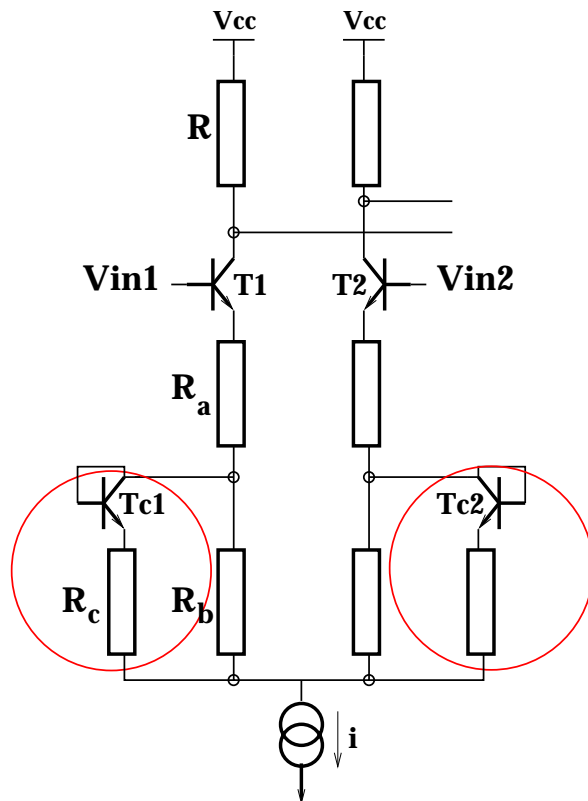
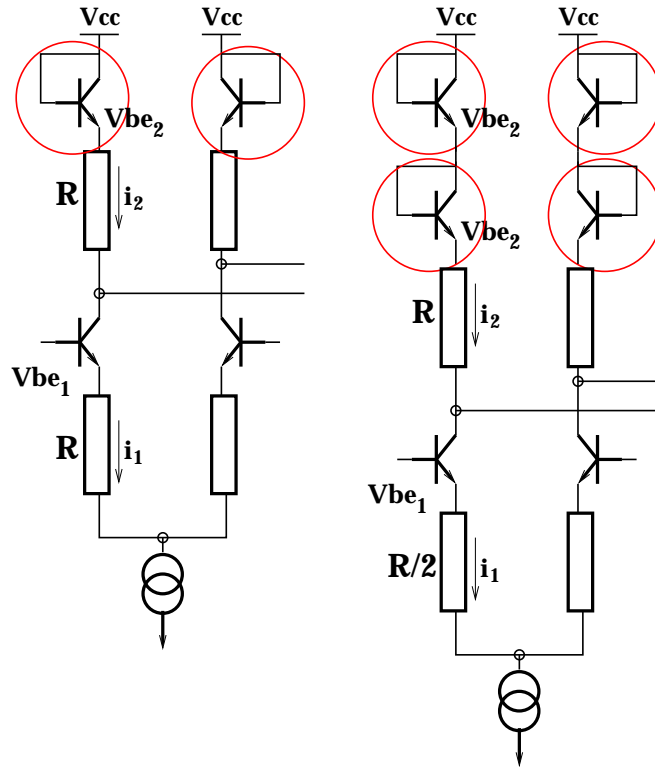
lecoq@clermont.in2p3.fr

cosmic events signals

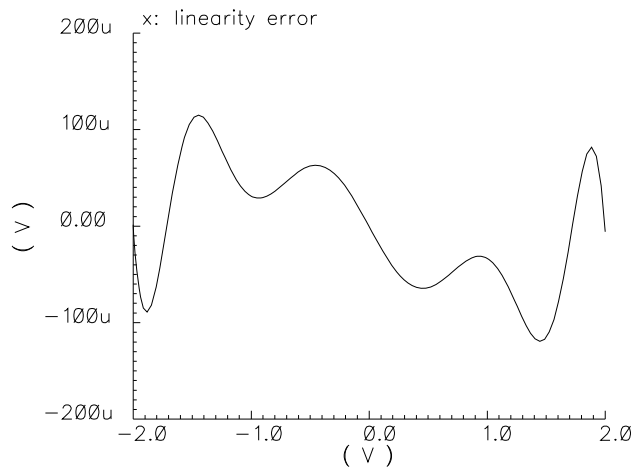
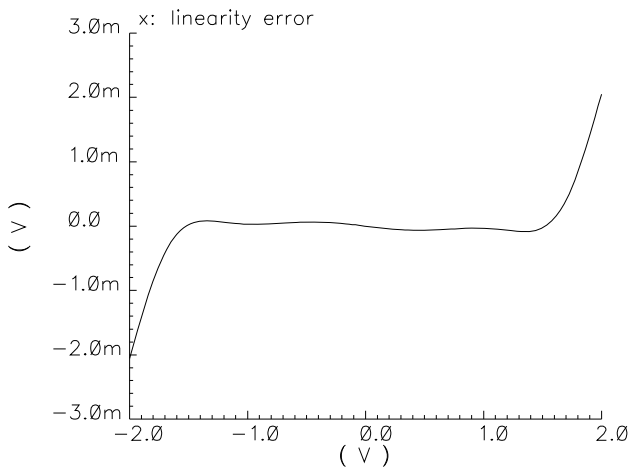
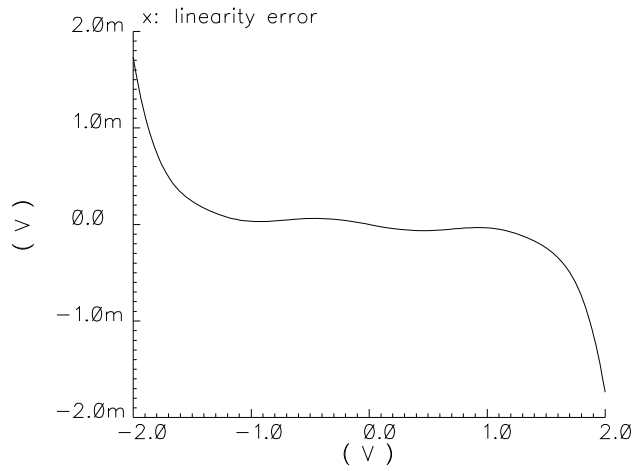
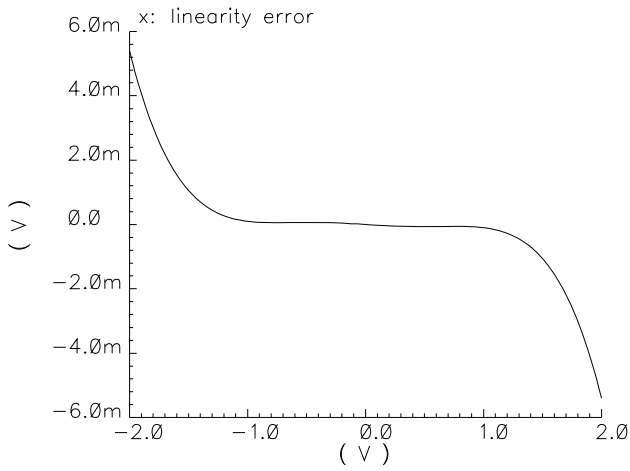




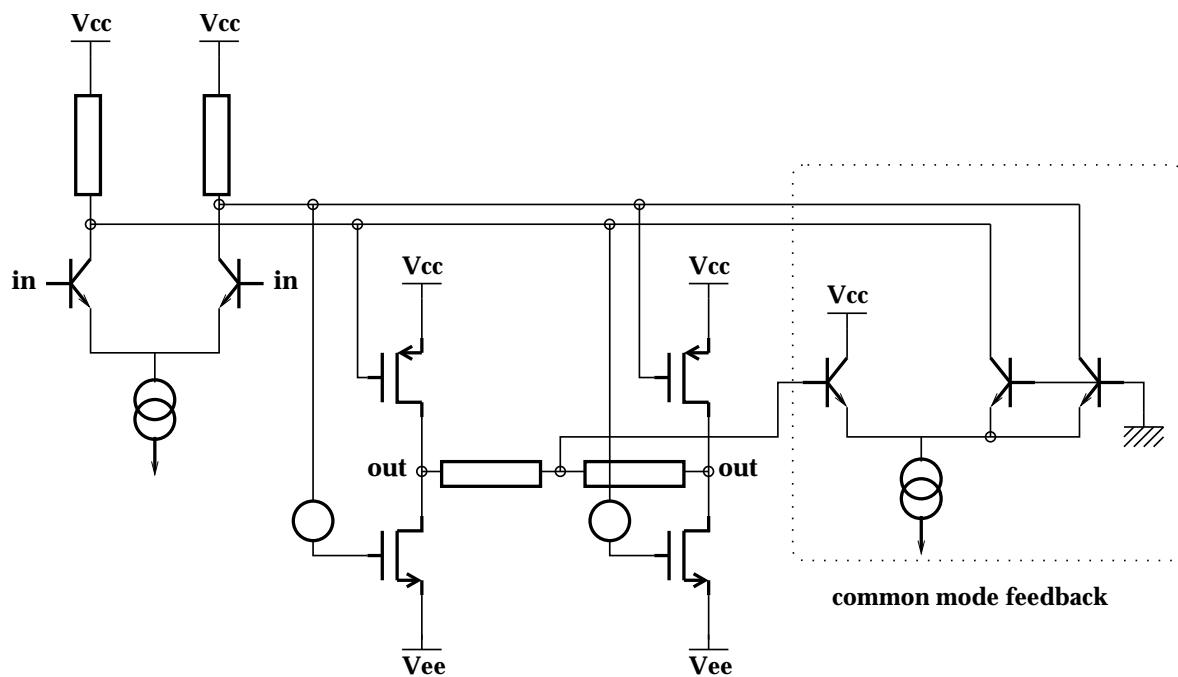
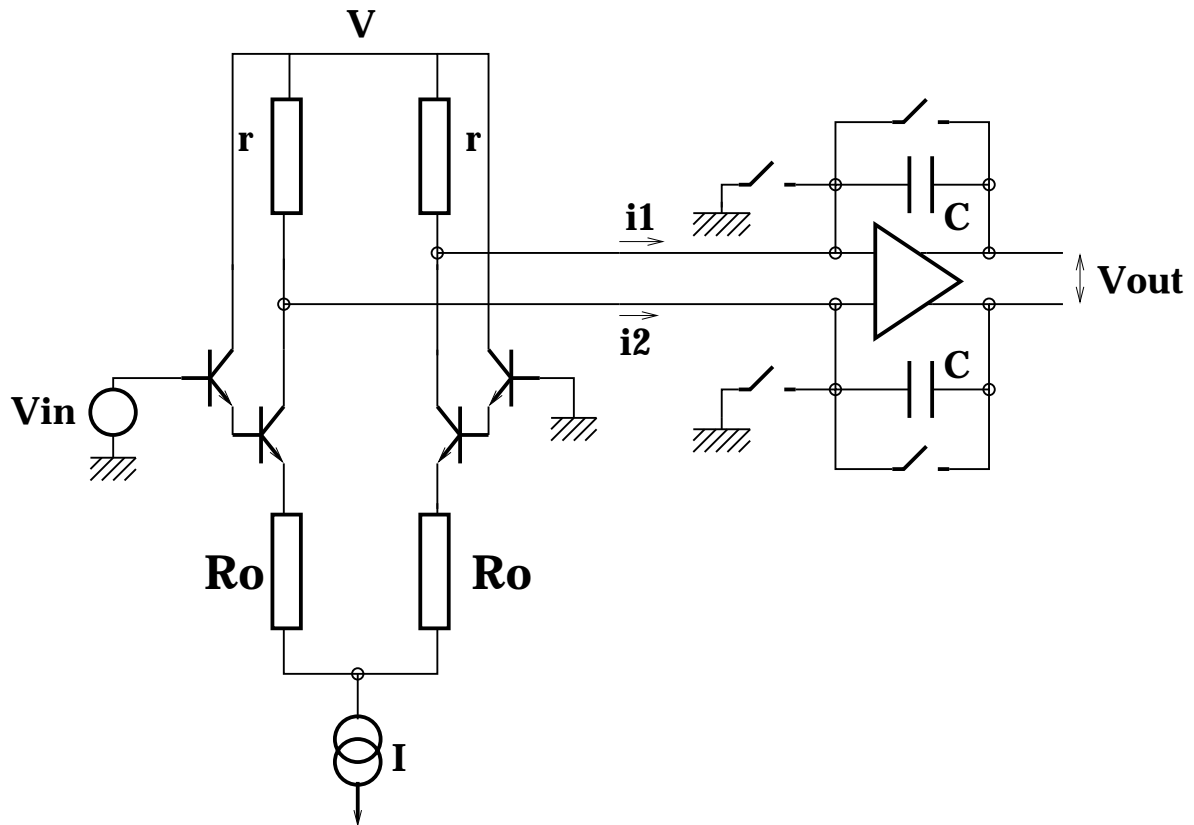
compensations



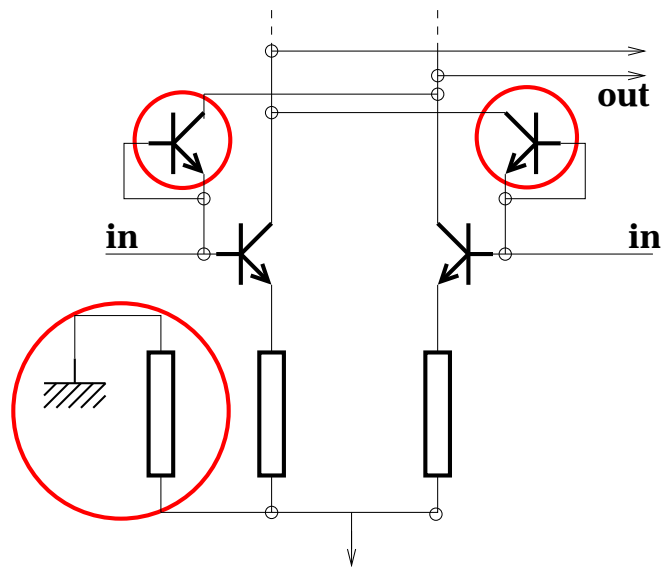
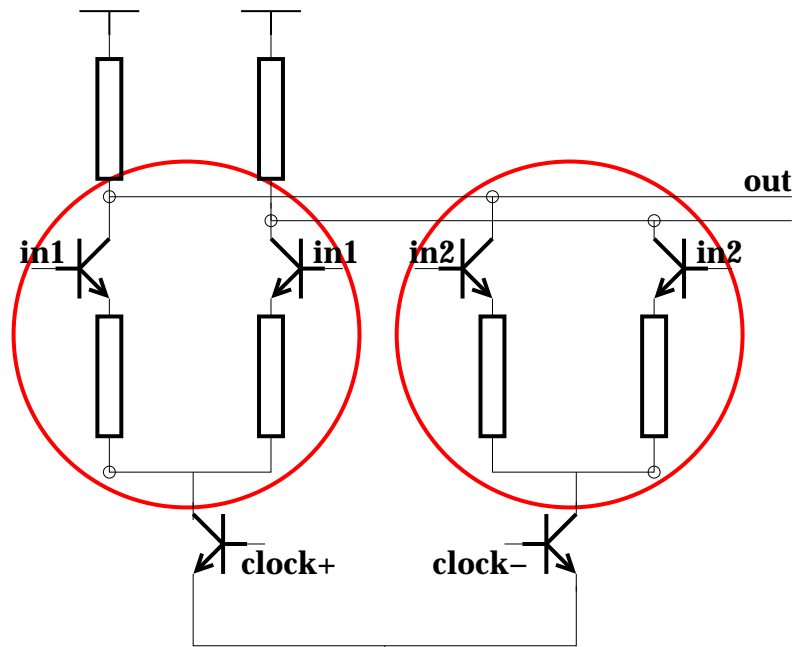
parallel compensation results



C2DM & integrator

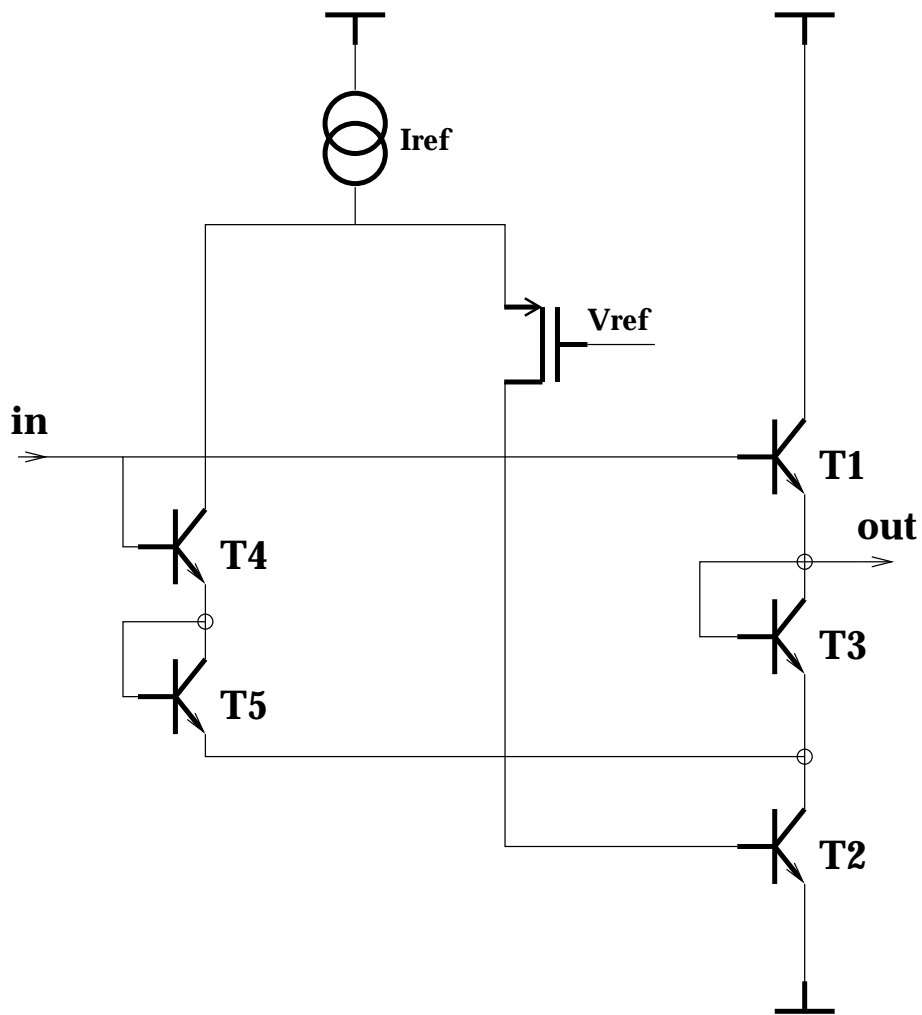


multiplexer compensations

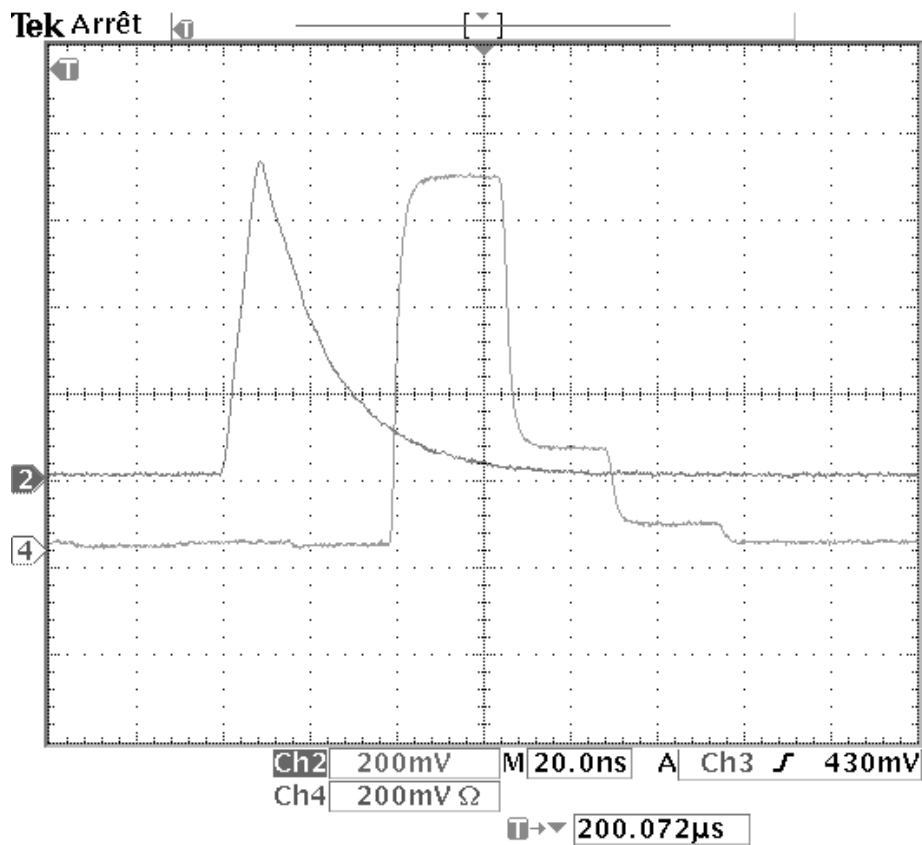


detail

output buffer

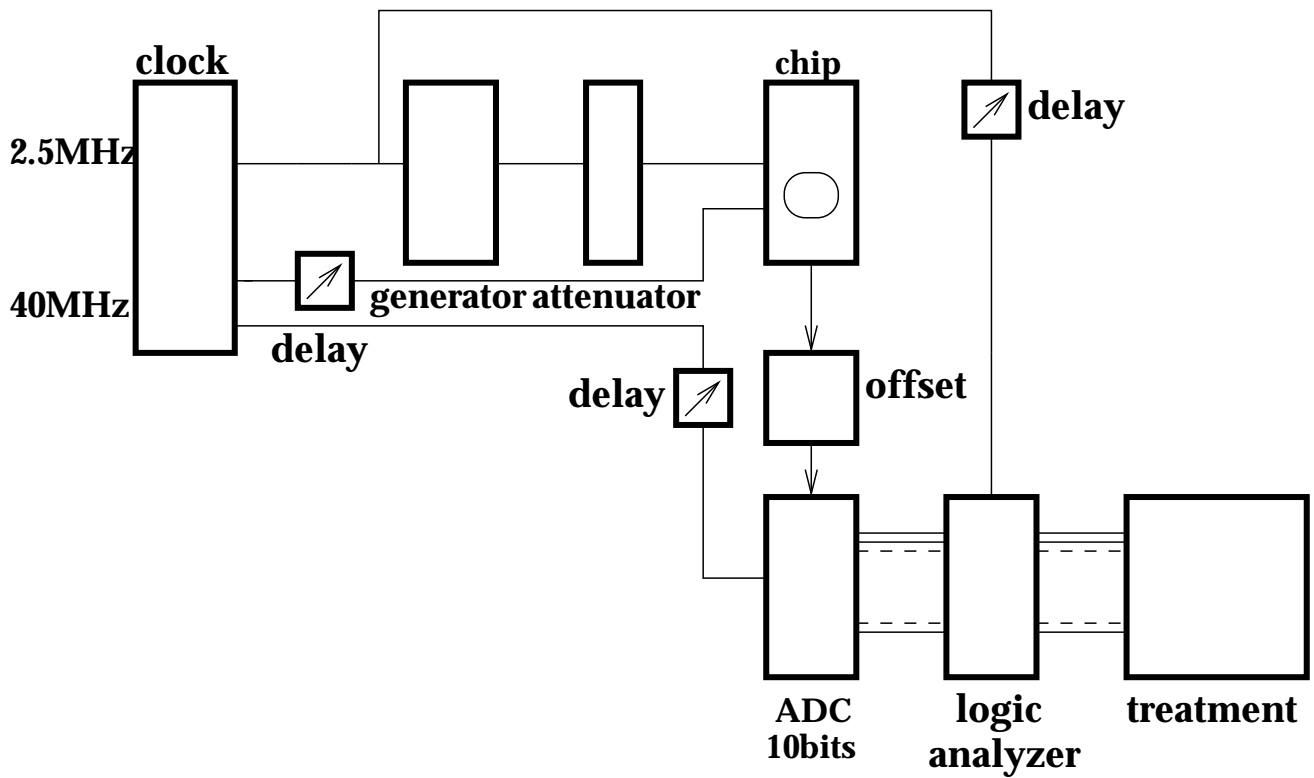


input and output of the chip

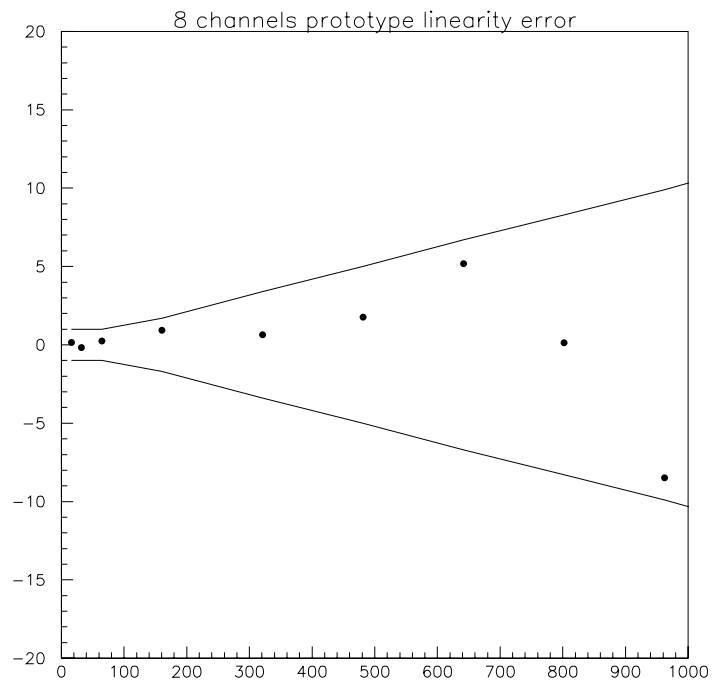
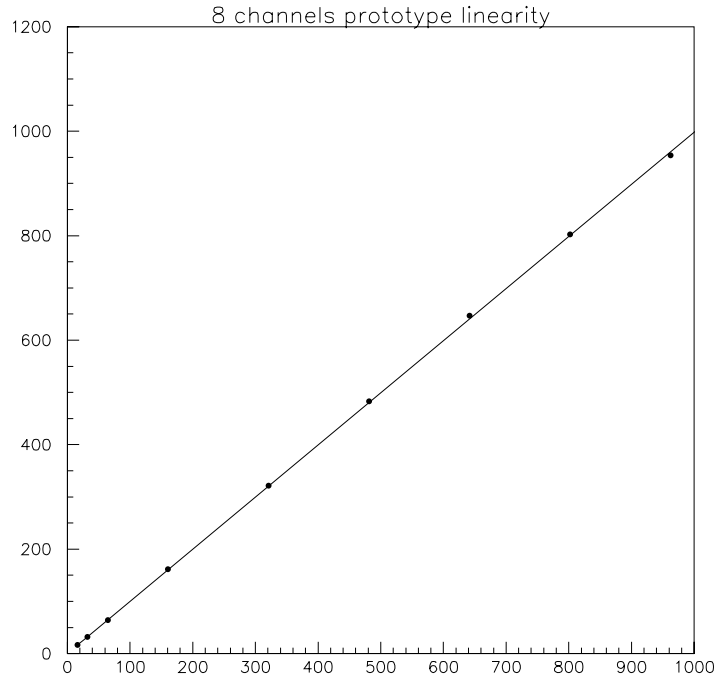


10 Mai 2000
17:13:04

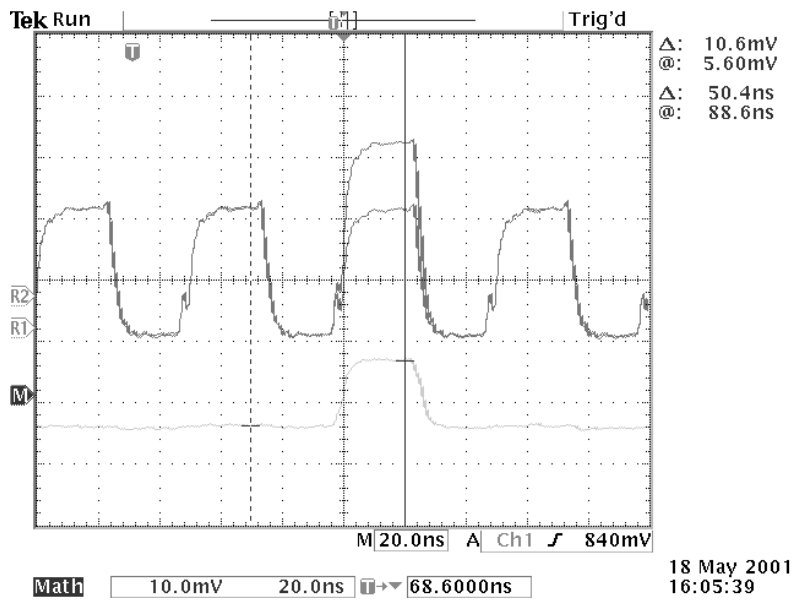
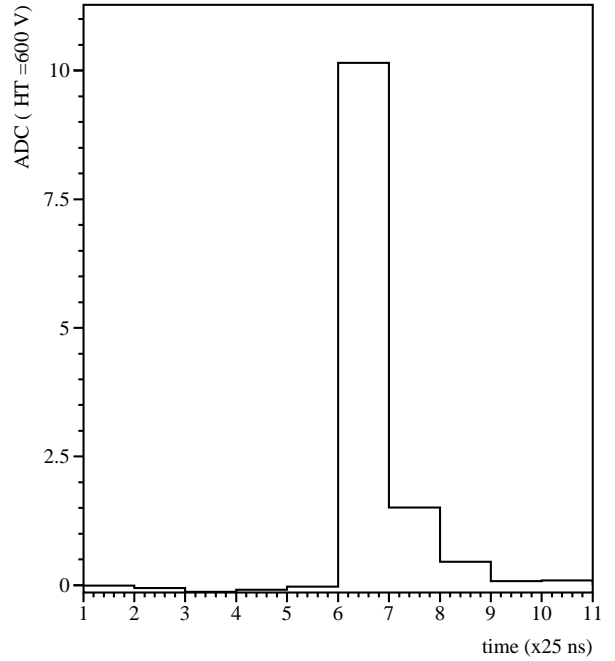
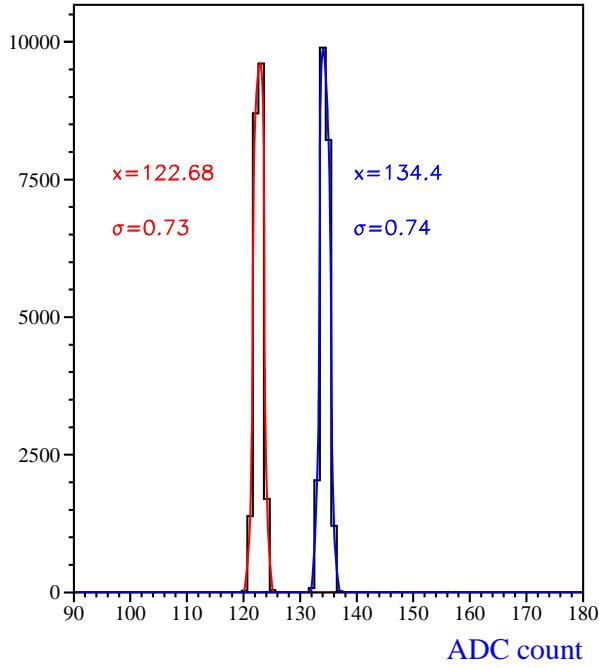
test bench



linearity



test beam



the MIP