

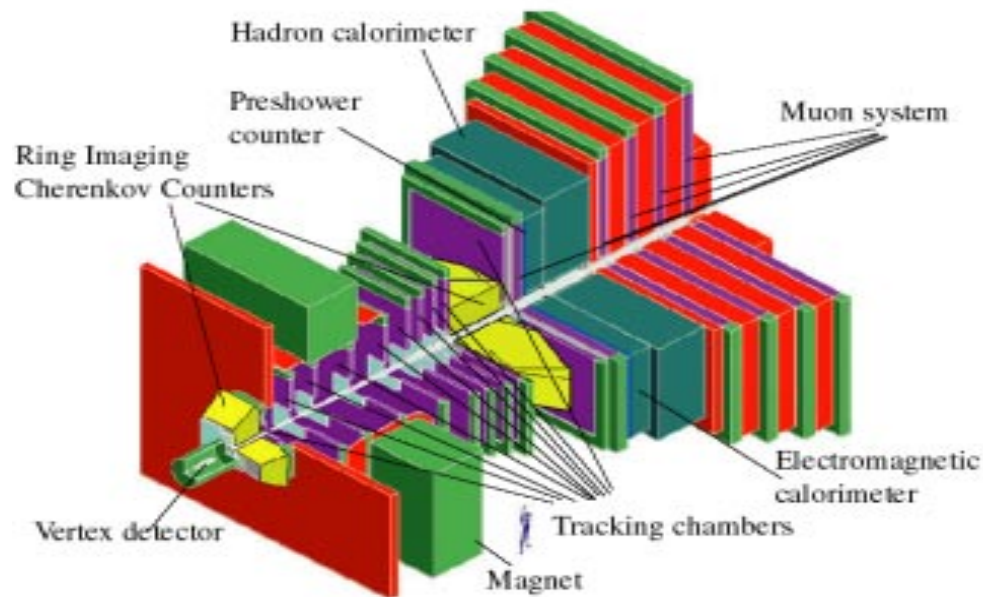
---

# **LHCb Vertex Detector Electronics Timing and Synchronization**

**Yuri Ermoline  
Lausanne University**

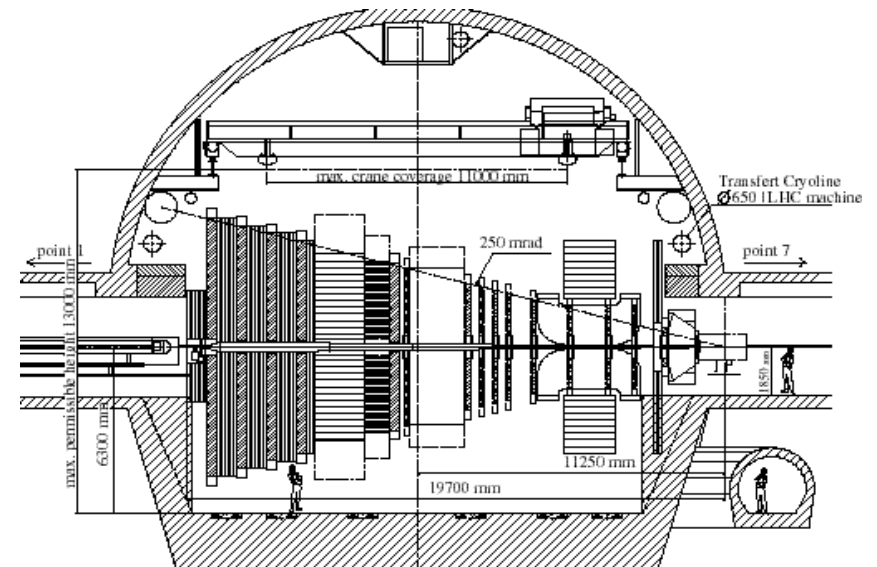
**8<sup>th</sup> Pisa Meeting on Advanced Detectors  
La Biodola, Isola d'Elba, Italy, May 21-27, 2000**

# LHCb Detector

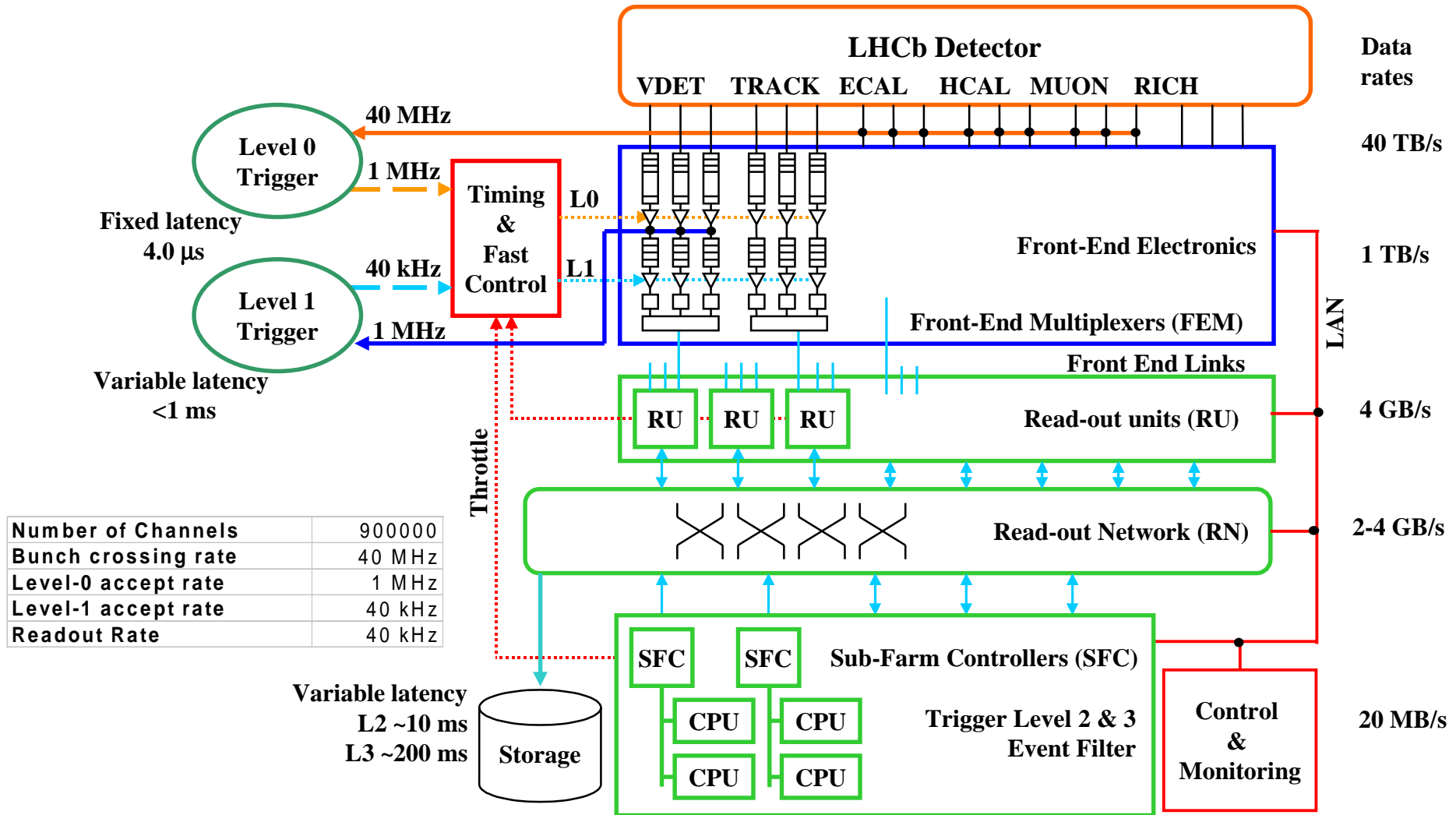


- ❑ **CP Violation Experiment at the LHC**
- ❑ **Searches for rare B decays**
- ❑ **Single arm spectrometer**

- ❑ **Good decay time resolution**
- ❑ **Particle identification capability**
- ❑ **Good invariant mass resolution**
- ❑ **Flexible and optimized trigger**

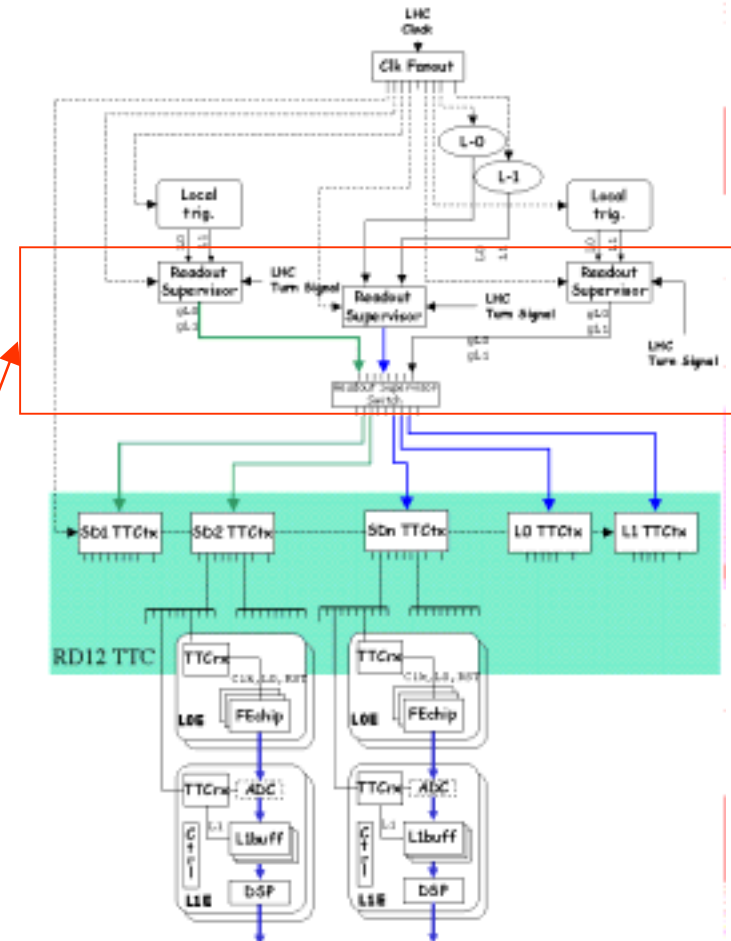


# Trigger/DAQ Architecture

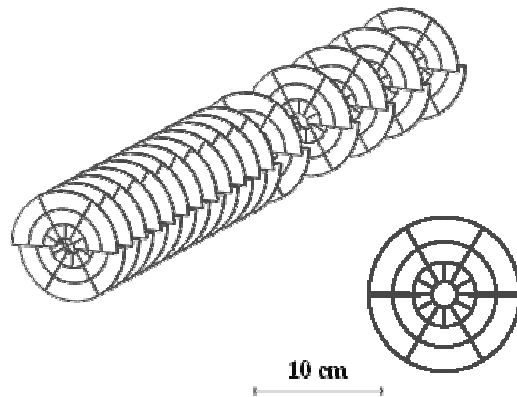
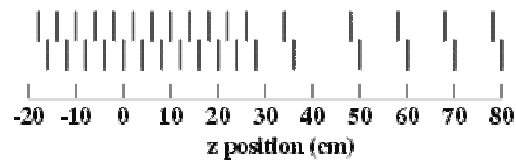


# Timing and Fast Control

- ❑ Provide common and synchronous clock
- ❑ Provide Level-0 and Level-1 trigger decisions
- ❑ Provide commands synchronous in all components (Resets)
- ❑ Provide Trigger hold-off capabilities in case buffers are getting full
- ❑ TTC (CERN/RD-12) as a backbone
- ❑ LHCb specific Readout Supervisor and Readout Supervisor Switch

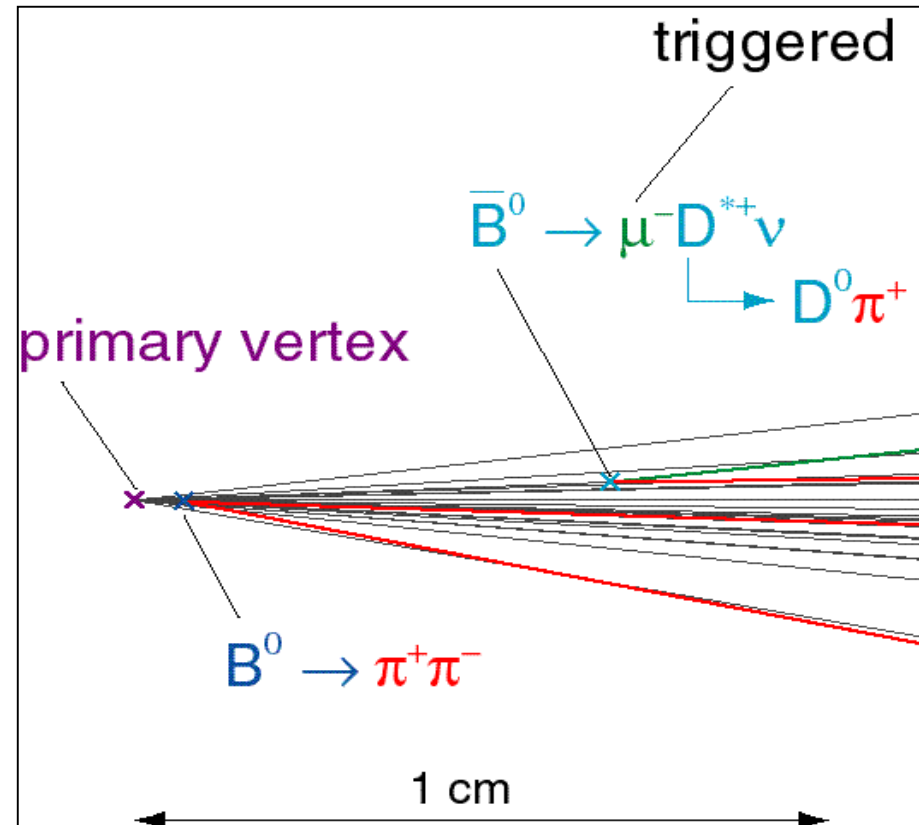


# VELO - VERtEX LOcator



- ❑ 17+2 stations, top/bottom module, r+phi
- ❑ 220K detector channels in total
- ❑ Radiation harsh environment
- ❑ Analogue readout, all strips
- ❑ Fast track reconstruction (L1 trigger)

## Typical event



# VELO Electronics

## □ Front-End Electronics

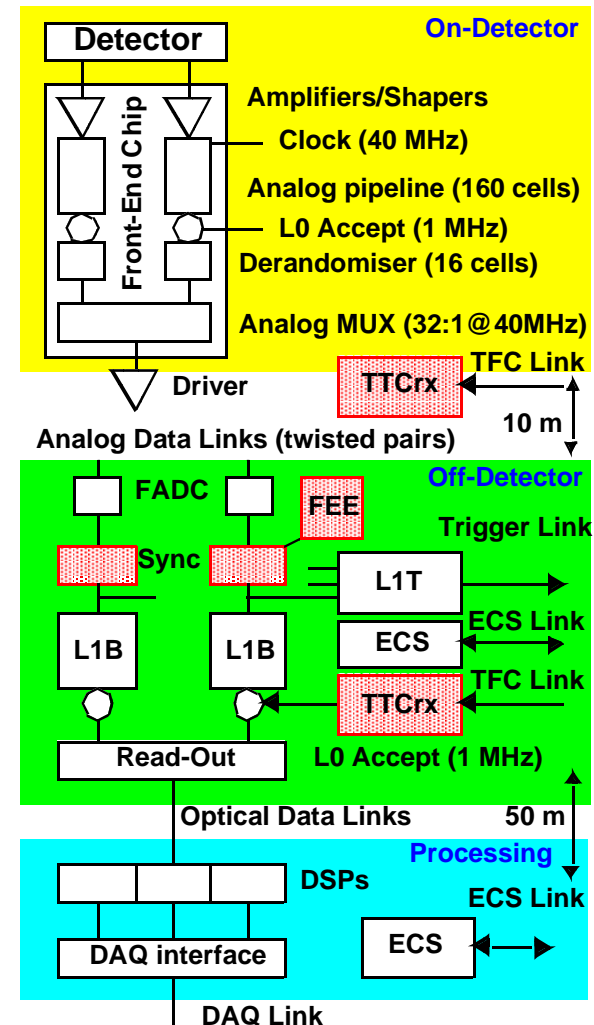
- Radiation Hard (DMILL or deep sub-micron)
- 128 ch read-out chip with 4 outputs (32:1)
- 160 cells pipeline, 16 cells derandomizer
- Analogue read-out at 40 MHz
- Pipeline ID as Event ID, over 4 outputs
- 900 ns read-out time  $(32+4)*25$  ns
- Clock, L0A, Reset from TTCrx
- Control via I2C interface

## □ Read-Out (Off-Detector) Electronics

- 64 channels module
- 8-bit 40MHz FADC (adj. Clock & Vref)
- Synchronisation tasks
- L1T preprocessing
- L1B for L1T latency (1000 events)
- Read-out & transmission after L1A

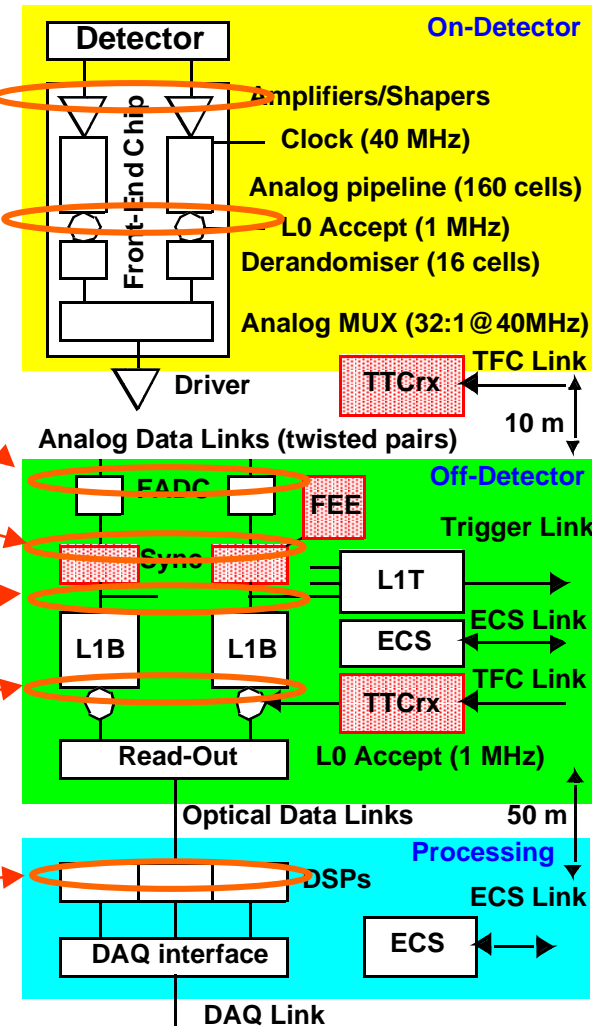
## □ Processing Electronics

- DSP farm for zero-suppression
- Read-out electronics monitoring



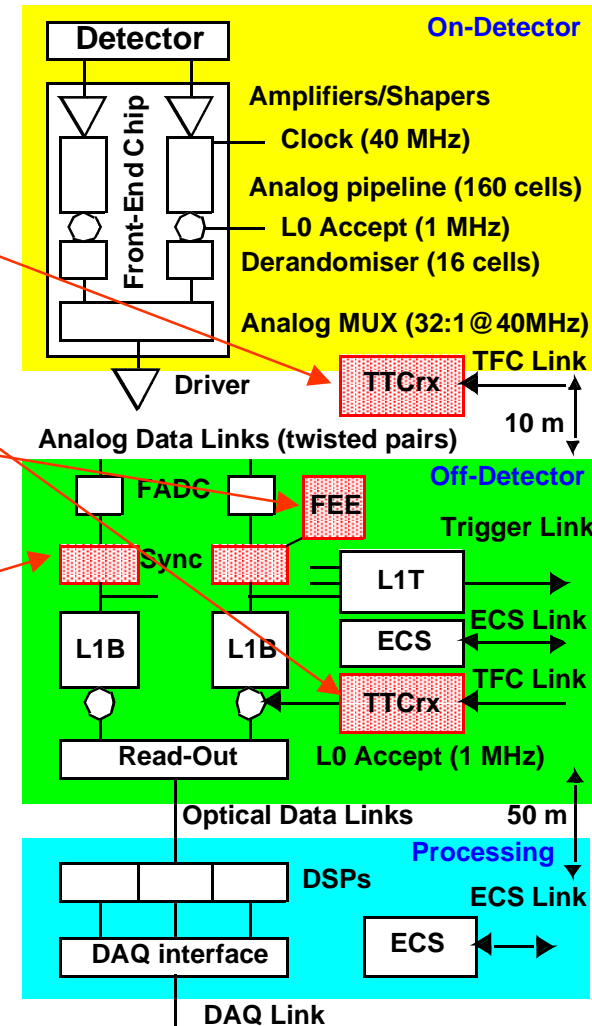
# Synchronization Tasks

- ❑ **Sampling synchronization**
  - Clock phase adjustment
  - Set on signal model, adjuster on real
- ❑ **L0 Accept synchronization**
  - L0 Accept measurements
  - L0 Accept adjustment
- ❑ **Front-end data synchronization**
  - FE Emulator time prediction
  - FE data structure
- ❑ **Front-end error detection**
  - FE Event ID cross-check with ODE
- ❑ **L1 Accept synchronization**
  - Event ID + accept/reject
- ❑ **Event synchronization**
  - Additional DAQ event number



# Synchronization Hardware

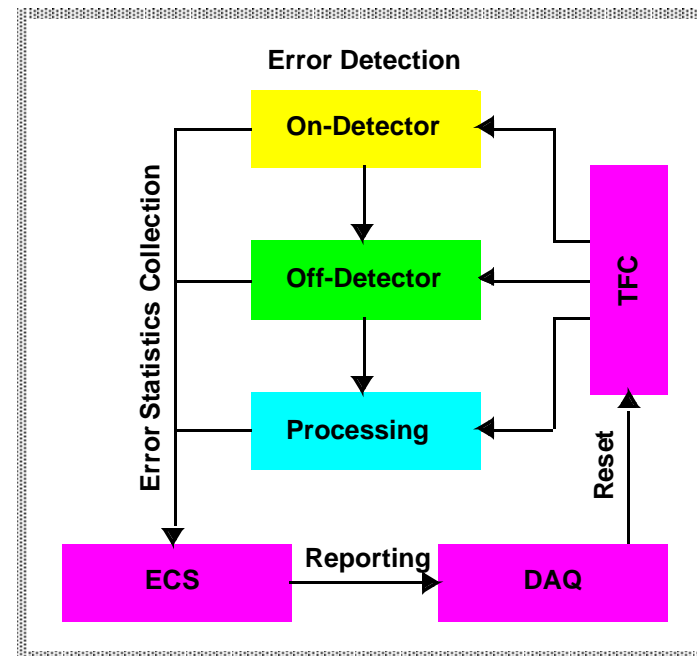
- **TTCrx receiver chip**
  - **0.1 ns clock adjustment**
    - Detector signal sampling
    - FADC clock adjustment
  - **16 clock cycles L0 Accept delay**
    - L0 Accept adjustment
  - **Bunch-crossing ID, L0 and L1 Accepts**
  
- **Emulator of the FE chip control logic**
  - **Predict FE data arrival time**
    - No need for separate strobe line
  - **Generate FE pipeline ID for cross-check**
    - FE chip error detection
  - **Generate Event ID**
  
- **Synchronization logic**
  - **FE chip synchronization errors detection**
    - Sets error flags for the L1 Buffer
    - Masks the data for the L1 Trigger
  - **Event tagging in the L1 Buffer**
  - **L1 Accept synchronization**
  - **DAQ event number generation**





# Error Detection and Recovery

- ❑ **Synchronization errors are detected at different locations in the VELO electronics**
- ❑ **Corrupted data are flagged or masked**
- ❑ **Error statistics are collected via the Experiment Control System (ECS) and reported to the DAQ**
- ❑ **The resetting frequency is calculated using observed error rate and different resetting scenarios are supported**
- ❑ **Resets are distributed to the VELO electronics using Timing and Fast Control system**



# Summary

---

- ❑ **VErtex LOcator (VELO) is a vital part of the LHCb experiment and it's Level-1 trigger**
  - **Robustness is a major issue**
  
- ❑ **VELO electronics located in a harsh radiation environment**
  - **Errors are unavoidable**
  
- ❑ **Synchronization check and error detection must be performed along the data flow**
  - **Special hardware are included in the data flow**
  
- ❑ **Error recovery procedure involves periodical resets**