

The GBT-SerDes ASIC prototype

This article has been downloaded from IOPscience. Please scroll down to see the full text article.

2010 JINST 5 C11022

(<http://iopscience.iop.org/1748-0221/5/11/C11022>)

View [the table of contents for this issue](#), or go to the [journal homepage](#) for more

Download details:

IP Address: 137.138.124.142

The article was downloaded on 11/07/2011 at 09:45

Please note that [terms and conditions apply](#).

TOPICAL WORKSHOP ON ELECTRONICS FOR PARTICLE PHYSICS 2010,
20–24 SEPTEMBER 2010,
AACHEN, GERMANY

The GBT-SerDes ASIC prototype

**P. Moreira,^{a,1} S. Baron,^a S. Bonacini,^a O. Cobanoglu,^a F. Faccio,^a S. Feger,^a
R. Francisco,^a P. Gui,^b J. Li,^b A. Marchioro,^a C. Paillard,^a D. Porret^a and K. Wyllie^a**

^a*CERN,
1211 Geneva 23, Switzerland*

^b*SMU,
Dallas TX 75275-0338, U.S.A.*

E-mail: Paulo.Moreira@cern.ch

ABSTRACT: In the framework of the GigaBit Transceiver project (GBT), a prototype, the GBT-SerDes ASIC, was developed, fabricated and tested. To sustain high radiation doses while operating at 4.8Gb/s, the ASIC was fabricated in a commercial 130 nm CMOS technology employing radiation tolerant techniques and circuits. The transceiver serializes-deserializes the data, Reed-Solomon encodes and decodes the data and scrambles and descrambles the data for transmission over optical fibre links. This paper describes the GBT-SerDes architecture, and presents the test results.

KEYWORDS: VLSI circuits; Radiation-hard electronics; Analogue electronic circuits; Digital electronic circuits

¹Corresponding author.

Contents

1	Introduction	1
2	GBT-SerDes architecture	2
2.1	Serializer	3
2.2	De-serializer	4
2.3	Phase-shifter	4
2.4	Test-setup	5
3	Summary	6

1 Introduction

The GigaBit Transceiver (GBT) architecture and transmission protocol [1, 2] has been proposed for data transmission in the future upgrades of the physics experiments at the Large Hadron Collider (LHC). Due to the planned higher beam luminosities, the experiments will require high data rate links and electronic components capable of sustaining high radiation doses. The goal of the GBT project is to produce the electrical components of a radiation hard optical link, whose architecture is shown in figure 1. One half of the link resides on the detector and hence in a radiation environment, therefore requiring custom electronics. The other half is in a radiation-free environment and can thus use commercially-available components. Optical data transmission is via a system of optoelectronics components produced by the Versatile Link project [3]. The architecture incorporates timing and trigger signals, detector data and slow controls all into one physical link, hence providing an economic solution for all data transmission applications in a particle physics experiment.

The on-detector part of the link consists of a set of three custom integrated circuits that operate at 4.8 Gb/s. The ASICs are: the GBTIA, a transimpedance amplifier [4], the GBLD, a laser driver [5] and the GBTX, a serial transceiver ASIC that implements the GBT protocol and communicates with the detector frontend devices through a series of low speed serial links (80 Mb/s,

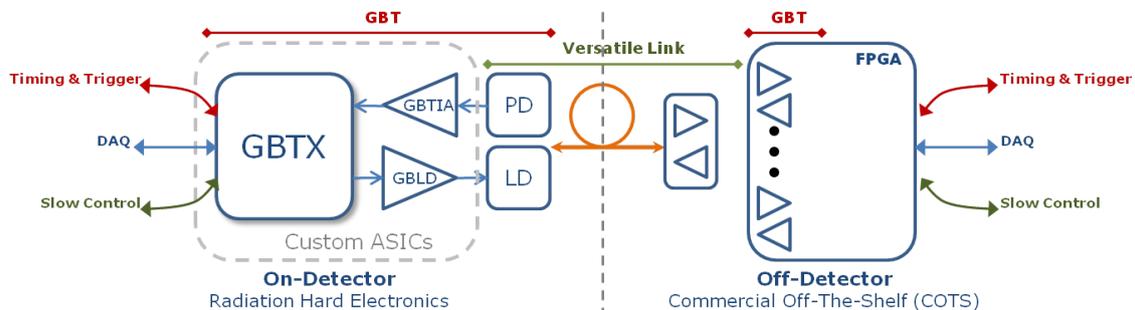


Figure 1. Radiation hard optical link architecture.

160 Mb/s or 320 Mb/s) [1]. In order to be radiation hard to total dose effects, the ASICs will be manufactured in a commercial 130 nm CMOS technology to benefit from its inherent resistance to ionizing radiation. Details of the off-detector part of the GBT link can be found in [6].

Part of the radiation tolerance of the link is achieved through the transmission of a Forward Error Correction (FEC) code that allows the recovery from errors induced by Single Event Upsets (SEUs) in the photo-diode (PD), the GBTIA and the transceiver data-path. The implementation of the FEC code uses Reed-Solomon code (RS(15,11)) resulting in an error correction capability of up to 16 consecutive bits in error [7]. To achieve DC balanced data transmission over the optical fibre the transmitted data is scrambled and descrambled before and after encoding and decoding respectively [7]. The GBT transmits a 120-bit frame, with 32 bits reserved for the FEC code and 4 for a header. The link efficiency is therefore $84/120 = 70\%$ and the available user bandwidth is 3.36 Gb/s (including 4 bits of slow-control data).

This paper describes the GBT-SerDes in which a subset of the GBTX functionality is implemented, namely the Serializer circuit (SER) the Clock and Data Recovery (CDR) circuits of the De-serializer (DES), the Reed-Solomon Encoder/Decoder (CODEC), the Scrambler/Descrambler (SCR/DSCR) and three phase shifters with 50 ps resolution. Further robustness against SEUs is provided by the use of Triple Modular Redundancy (TMR) for the low-speed digital logic and the most critical high-speed digital functions. The GBT-SerDes was thus built in the same technology foreseen for the fabrication of the GBTX in order to study the feasibility of the high speed serializer and clock recovery circuits. The following sections describe the details of the GBT-SerDes architecture and present the test results.

2 GBT-SerDes architecture

The architecture of the GBT-SERDES is shown in figure 2. It is broadly composed of a transmitter (TX) and a receiver (RX) section. The TX receives parallel data through the Parallel Input (Parallel In) interface. This data is then scrambled and RS encoded before it is fed to the SER where it is converted into a 4.8 Gb/s serial stream with the frame format described above. On the RX side, after serial to parallel conversion in the DES, the data is fed to the frame aligner, then RS decoded and de-scrambled before it is sent to the external parallel bus through the parallel output interface. To minimise prototyping costs, a time-division multiplexed 30-bit parallel bus was adopted for the input and output buses thus significantly reducing the silicon area since the ASIC is pad limited.

In the receiver and transmitter data paths, switches have been inserted between the functional blocks. These switches allow routing the data, at different levels of depth down the data path, from either the RX into the TX or vice-versa. This functionality can be used for evaluation testing of the ASIC but it also aims at providing a diagnostic tool for field tests of the optical link that will use the GBTX. Further self testing features are a Pseudo Random Bit Sequence (PRBS) generator in the TX. The PRBS generator can also be programmed to produce constant data or a simple bit count. The critical high-speed blocks (shaded regions in figure 2) are implemented using full-custom design techniques while the remaining circuits are based on the standard library cells provided by the foundry.

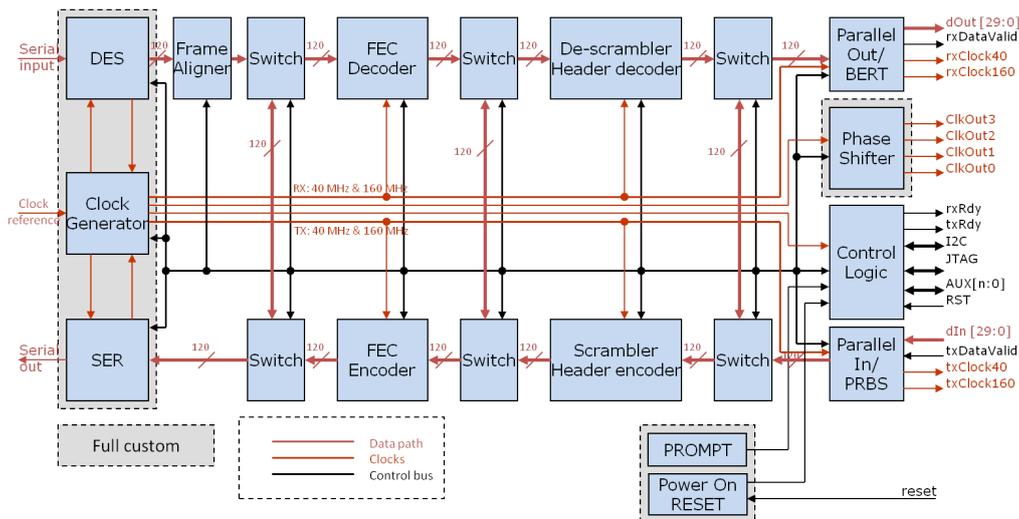


Figure 2. GBT-SerDes block diagram.

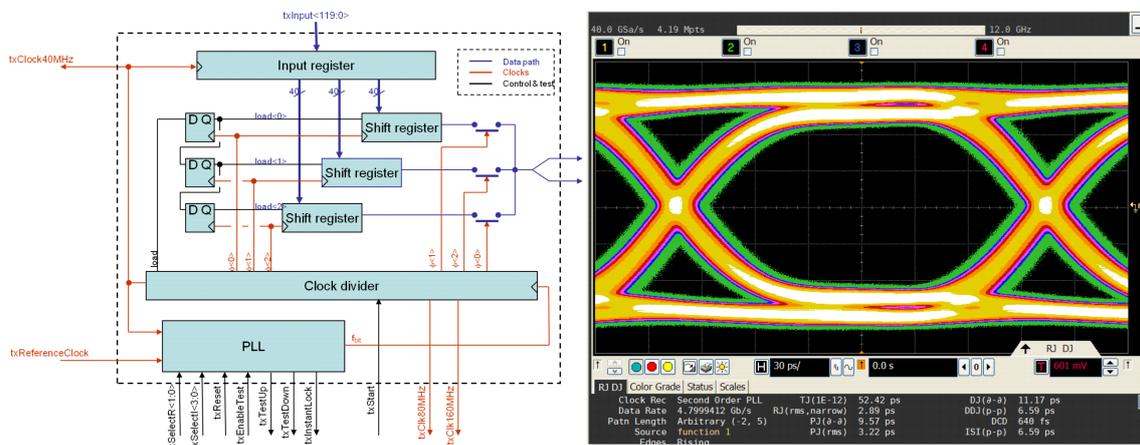


Figure 3. Serializer block diagram (left) and eye-diagram (right).

2.1 Serializer

Figure 3 (left) shows the block diagram of the serializer. It consists of a 120-bit input register, three 40-bit shift registers, a frequency synthesizer consisting of a Phase-Locked Loop (PLL) with an 120-bit feedback divider (composed of two stages, the first dividing by 3 and the second dividing by 40), and a 3:1 high speed multiplexer.

The SER operation is based on the division of the 120-bit frame into three 40-bit words which are serialized at 1.6 Gb/s and then time division multiplexed to form the final 4.8 Gb/s serial bit stream. This architecture minimises the number of components operating at full speed.

The PLL is designed to be tolerant to SEUs by using large transistor sizes on the VCO ring-oscillator and consequently large currents are used on each stage of the VCO making the VCO signal phase less sensitive to the charge perturbations deposited by ionizing particles [8]. Triple Modular Redundancy (TMR) is used in the feed-back divider of the PLL to mitigate SEUs. To

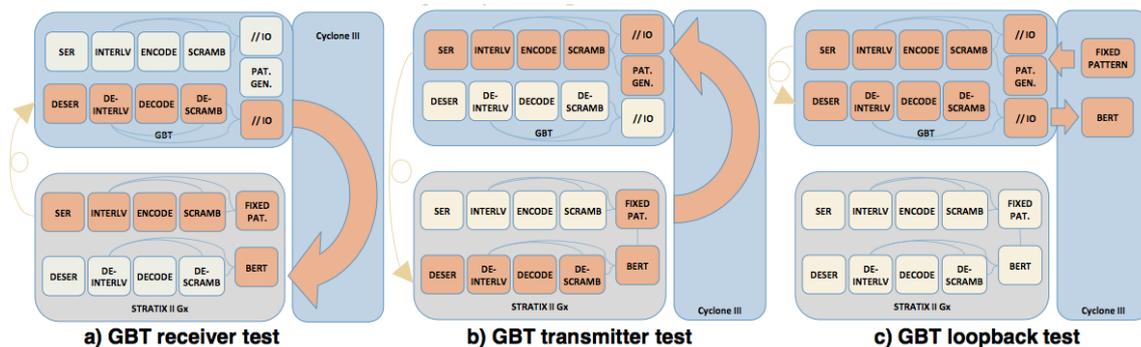


Figure 6. GBT-SerDes Testing configurations.

serial link available in the Stratix II Gx and an SFP+. A Bit Error Rate Tester is implemented in either the Stratix or the Cyclone depending on the type of test to be performed, referred as a), b) and c) in figure 6. For the loopback test, the Stratix board is not required, and the custom board can be used standalone. These tests are controlled either via Ethernet UDP or I2C, and managed by a Graphical User Interface written in Java.

3 Summary

A serializer/de-serializer ASIC operating at 4.8 Gb/s has been designed and tested. The ASIC is custom made for the experiments of the future upgrade of the LHC accelerator. The ASIC architecture and circuits were designed to be tolerant to single event upsets and the ASIC is fabricated in an 130 nm CMOS technology in order to be hard to the effects of ionizing radiation.

References

- [1] P. Moreira et al., *The GBT, a Proposed Architecture for Multi-Gb/s Data Transmission in High Energy Physics*, in proceedings of the *Topical workshop on electronics for particle physics*, Prague, Czech Republic, 3–7 Sept. 2007, pp. 332–336
- [2] P. Moreira et al, *The GBT Project*, in proceedings of the *Topical workshop on electronics for particle physics*, Paris, France, September 21–25 (2009), pp. 342–346.
- [3] J. Troska et al., *The Versatile Transceiver Proof of Concept*, in proceedings of the *Topical workshop on electronics for particle physics*, Paris, France, September 21–25 (2009), pp. 347–349.
- [4] M. Menouni et al., *The GBTIA, a 5 Gbit/s radiation-hard optical receiver for the SLHC upgrades*, in proceedings of the *Topical workshop on electronics for particle physics*, Paris, France, September 21–25 (2009), pp. 326–330.
- [5] G. Mazza et al., *A 5 Gb/s Radiation Tolerant Laser Driver in 0.13 μm CMOS technology*, in proceedings of the *Topical workshop on electronics for particle physics*, Paris, France, September 21–25 (2009), pp. 321–325.
- [6] F. Marin et al., *Implementing the GBT data transmission protocol in FPGAs*, in proceedings of the *Topical workshop on electronics for particle physics*, Paris, France, September 21–25 (2009), pp. 631–635.

- [7] G. Papotti et al., *An Error-Correcting Line Code for a HEP Rad-Hard Multi-GigaBit Optical Link*, in proceedings of the *12th Workshop on Electronics for LHC and Future Experiments*, Valencia, Spain, 25-29 Sept 2006, CERN-LHCC-2007-006.
- [8] O. Cobanoglu, *A Radiation tolerant 4.8 Gb/s serializer for the Giga-bit transceiver*, in proceedings of the *Topical workshop on electronics for particle physics*, Paris, France, September 21–25 (2009), pp. 570–574.